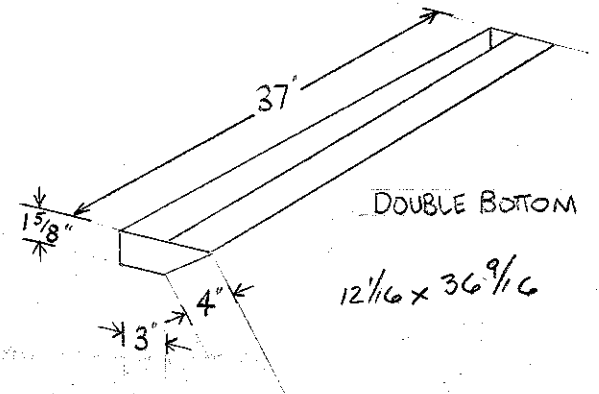


ALL FITTINGS HAVE
MAXIMUM HEIGHT OF 2 1/2"



DOUBLE BOTTOM

258-20

NO SCREENS

12-5A1 REV. 6 TO 8 "HANG" (M)
2-11-91 FSD ALUMEX (M)

SHEET		090				TOP/SIDE - 31 3/8" x 42"	FILL	1 1/2" OD 90°		
						BOTTOM - 25" x 42"	VENT	5/8" OD 90°		
1	2	3	4	5	6		GAUGE	ROCHESTER ELECTRIC 8"		
ENDPLATE		① 21 5/16" x 9 1/16"		① 19 3/16" x 9 1/16"			PICK-UP	3/8" S/S STEEL N/Low P 9"		
BAFFLE		090	NO.	1	SIZE		RETURN	3/8" S/S STEEL ONLY		BIA NO.
BEND NUMBERS							CO.	4" HOLE & 6" PLATE		
1 ()		2 ()		3 ()			TABS	NONE		DRAWN BY
4 ()		5 ()		6 ()			COATING	PRIMER		3 Dec
							ACCESSORIES	NONE		CHECKED BY
							DATE DRAWN	2-1-84		A.F.P. NO.
								50377		AF

This document and information contained herein are the property of Aluminum Fabricated Products, Inc. and all unauthorized use of and reproduction are prohibited.

TILLOTSON PEARSON